

STEVE VICK

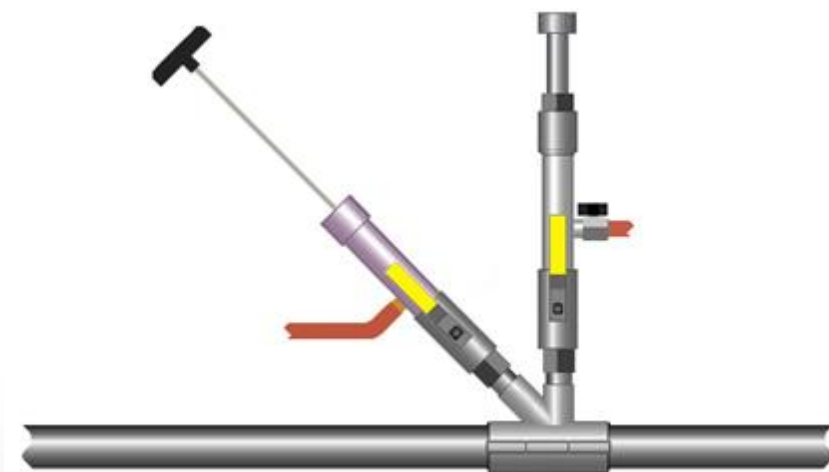
INTERNATIONAL



INNOVATIVE ENGINEERING FOR TRENCHLESS RENOVATION AND DECOMMISSIONING OF PIPES WORLDWIDE

LIVE GAS SERVICE ISOLATOR 1 1/2" - 2"

Illustrated Parts List Valid Until October 2019



Steve Vick International Ltd

Treenwood Industrial Estate, Bradford-on-Avon, BA15 2AU, UK

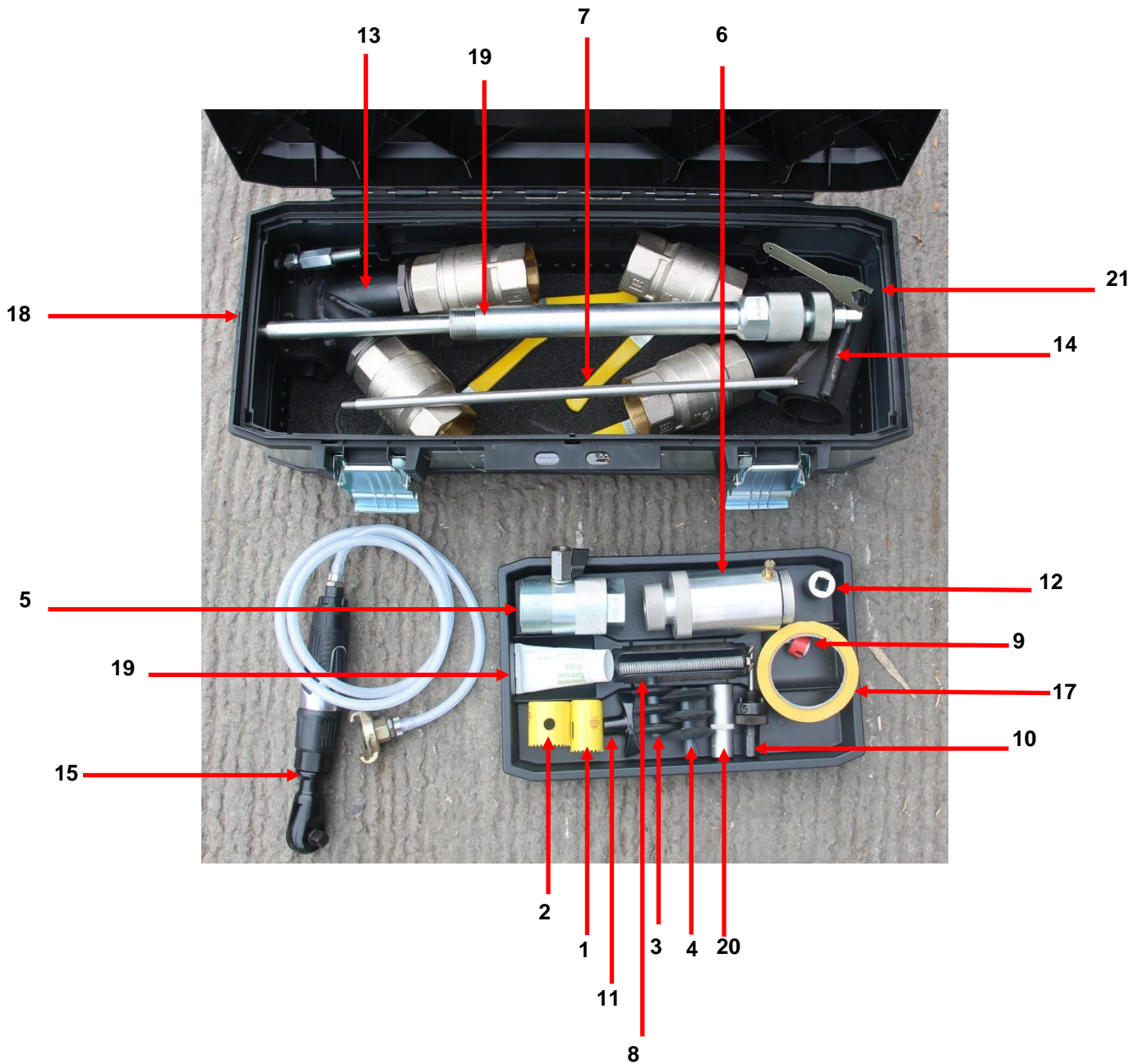
+44 (0)1225 864 864

info@stevevick.com

stevevick.com

KIT CONTENTS

(not shown as toolbox layout)



Required Hardware	Part No.
Complete Kit: 1/1/2" to 2"	107200



LIVE SERVICE ISOLATOR

No.	Item Description	Part No.	
1	35mm Holesaw (1½")	082035	
2	44mm Hole-saw (2")	082044	
3	1½" Stopper	107205	
4	2" Stopper	107206	
5	Long 2" Gland Body c/w Gland Rubber and Cap	107208	
6	2" Drill Adaptor c/w test point	107207	
7	Insertion/retriever Rod c/w Insertion Spring	107209	
8	Insertion Spring only	107210	
9	Retriever Magnet 1½" – 2"	107211	
10	Arbor c/w Pilot Drill	084004	
11	Handle for Retriever/Spring Rod	107002	
12	Air Ratchet Adaptor ½"	107104	
13	Isolator Clamp 1½" C c/w 2" Ball Valves	107113	
14	Isolator Clamp 2" c/w 2" Ball Valves	107114	



15	Air Ratchet ½” c/w fittings	107105/I	
16	Steve Vick Drill c/w pilot drill Long	107141	
17	Printed Marker Tape	107139	
18	Tool Box c/w foamed tray	107151/N	
19	Silicone lubricant	130002	
20	19mm Long Socket	107138	
21	Drill Spanner	107218	



OPTIONAL EXTRAS		
Syntho-lube	107140/L	
Ratchet Spanner ½ ”	107003	
Gland Rubber Cartridge 1½” - 2”	107120	
Pilot Drill	081011	
Rubber Seal	1½” 107149	
	2” 107150	





Full directory of Parts & Price Lists available

Contact a member of the Sales team to request a Parts & Price List – sales@stevevick.com

PIPE HANDLING EQUIPMENT

- Pipe Coil Trailer 50 - 90
- Pipe Coil Trailer 125 - 160
- Pipe Coil Trailer 180
- Pipe Coil Trailer Hexi
- Pipe Handler 125 Mini (for use with 1.5 ton digger)
- Pipe Handler 180 Midi (for use with 3 ton digger)
- Pipe Handler 355 , 500 , 630 (for use with 5-8 tonne, may suit larger size diggers)

PIPE CUTTING/CRACKING EQUIPMENT

- Hire Parts & Price List (plant hire)
- Keel Cutter (N450 & N600 requires power pack for use, also available)
- MACAW Pipe Crackers – Mini MACAW 3 – 8” and MACAW – 8 – 24”
- Rapid Pipe Cutters – Window and Circumferential cutters for Ductile
- **NEW** Steel Pipe Cutters – Window and Circumferential cutter for Steel
- **NEW** Crackerjack™

GAS SERVICE RENEWAL

- Dead Service Insertion 17.5mm (17.5 sealant cartridges)
- Live and Dead Service Insertion (rigid 4 wheel cutter, FOAMPACK™, nosecones, mini end seals, taper tools)
- Live Service Insertion -20-25mm (Pushing machine for use with kit, FOAMPACK™, nosecones, mini end seals)
- Live Service Insertion 32mm (Pushing machine for use with kit, FOAMPACK™, nosecones, mini end seals)
- Live Service Isolator - Generic Large (Isolators with clamps, etc.)
- Live Service Isolator - Generic Small (Isolators with clamps, etc.)
- Live Service Transfer (Drills, holesaws, foam stop tees and kits)
- Rapid Service Isolator (Applicator gun, kit bag and sealant)
- Service Removal Tool (Service removal tool, 4 wheel cutters)

LIVE MAINS INSERTION

- Live Mains Insertion (Lyontec Glandboxes, Insertion and End Seals, Live Heads and Test Ends)

FLOWSTOPPING/PIPE SEALING

- Flowstop & Abandonment (FOAMBAG™, Dead End Seals, Foam Caps, Hacksaw Blades)
- Mini Purge Ejector
- DRAINBLOCK BAG™ and RATBLOCK™

