

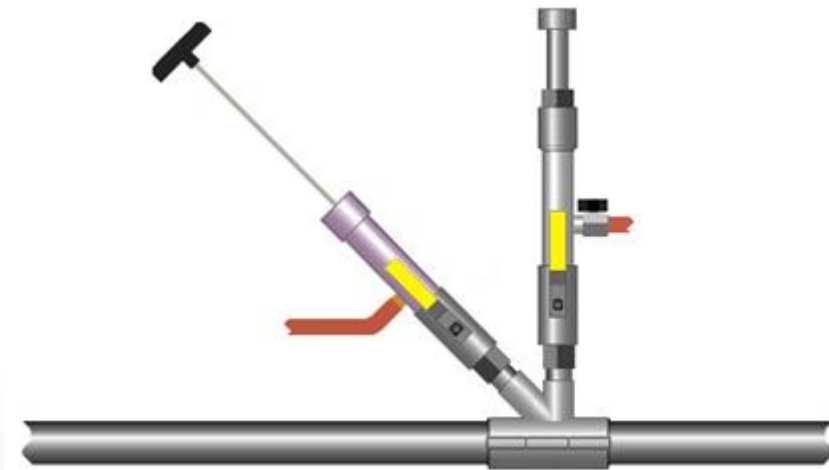
STEVE VICK INTERNATIONAL



SOLUTIONS FOR THE REPAIR RENOVATION AND DECOMMISSIONING OF PIPELINES

LIVE GAS SERVICE ISOLATOR 1 1/2" - 2"

Illustrated Parts List Valid Until June 2015



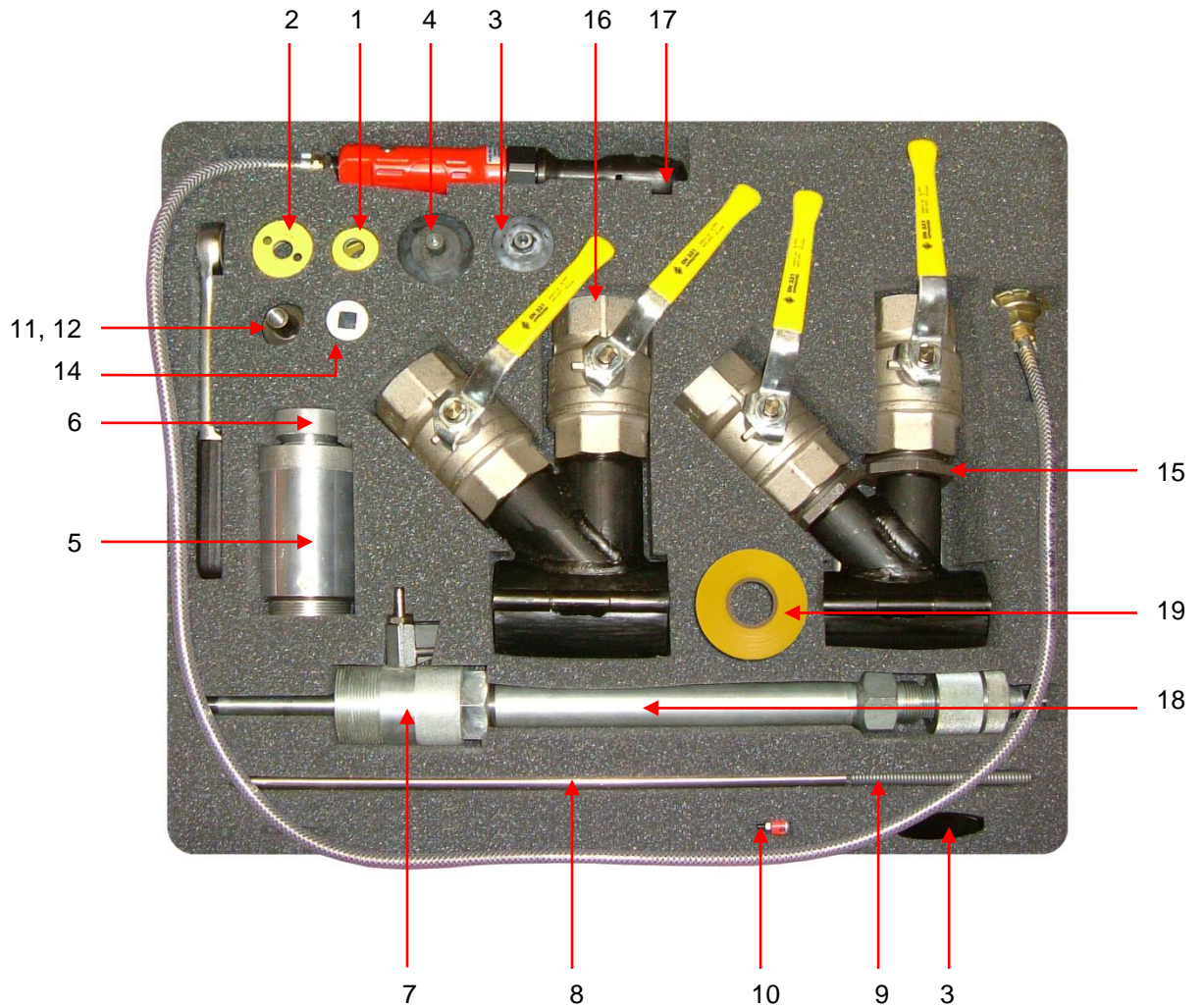
Steve Vick International Ltd

Greenwood Industrial Estate, Bradford-on-Avon, BA15 2AU, UK

Telephone: +44 (0)1225 864 864 Email: info@stevevick.com Web: www.stevevick.com

KIT CONTENTS

(not shown as toolbox layout)






| Required Hardware | Part No. |
|-------------------------------|----------|
| Complete Kit: 1/1/2" to 2" | 107200 |



LIVE SERVICE ISOLATOR

| No. | Item Description | Part No. | |
|-----|---|---|---|
| 1 | 35mm Holesaw (1½") | 082035 |  |
| 2 | 44mm Hole-saw (2") | 082044 | |
| 3 | 1½" Stopper | 107205 |  |
| 4 | 2" Stopper | 107206 | |
| 5 | Long 2" Gland Body c/w Gland Rubber and Cap | 107208 |  |
| 6 | Gland Rubber Cartridge 1½" - 2" | 107156 |  |
| 7 | 2" Drill Adaptor c/w test point | 107207 |  |
| 8 | Insertion/retriever Rod c/w Insertion Spring | 107209 |  |
| 9 | Insertion Spring only | 107210 |  |
| 10 | Retriever Magnet 1½" - 2" | 107211 |  |
| 11 | Arbor c/w Pilot Drill | 084004 |  |
| 12 | Pilot Drill | 081011 |  |
| 13 | Rubber Seal | ¾" 107145 1" 107146 1¼" 107147 1½" 107157 2" 107150 |  |
| 14 | Handle for Retriever/Spring Rod | 107002 |  |
| 15 | Air Ratchet Adaptor ½" | 107104 |  |

| No. | Item Description | Part No. | |
|-----|---|----------|---|
| 16 | Isolator Clamp 1½" c/w 2" Ball Valves | 107113 |  |
| 17 | Isolator Clamp 2" c/w 2" Ball Valves | 107114 |  |
| 18 | Air Ratchet ½" c/w fittings | 107105 |  |
| 19 | Steve Vick Drill c/w pilot drill Long | 107141 |  |
| 20 | Printed Marker Tape | 107139 |  |
| 21 | Tool Box c/w foamed tray | 107151 |  |

| OPTIONAL EXTRAS | | |
|----------------------------|----------|---|
| Silicone lubricant | 130002 |  |
| Syntho-lube | 107140/L |  |
| Ratchet Spanner ½ " | 107003 |  |

Illustrated Parts and Price lists Are Available

Just ask sales@stevevick.com

- Dead Service Insertion 17.5mm (17.5 sealant cartridges)
- Drainblock and Ratblock
- Flowstop & Abandonment (Foambags, Dead End Seals, Foam Caps, Hacksaw Blades)
- Hire Parts & Price List (plant hire)
- Keel Cutter (requires power pack for use, also available)
- Live and Dead Service Insertion (rigid 4 wheel cutter, foampack, nosecones, mini end seals, taper tools)
- Live Mains Insertion (Lyontec Glandboxes, Insertion and End Seals, Liveheads and Test Ends)
- Live Service Insertion -20-25mm (Pushing machine for use with kit, foampack, nosecones, mini end seals)
- Live Service Insertion 32mm (Pushing machine for use with kit, foampack, nosecones, mini end seals)
- Live Service Isolator - Generic Large (Isolators with clamps, etc.)
- Live Service Isolator - Generic Small (Isolators with clamps, etc.)
- Live Service Transfer (Drills, holesaws, foam stop tees and kits)
- Macaw Pipe Cracker (N450 and N600)
- Mini Purge Ejector
- Pipe Coil Trailer 125 - 160
- Pipe Coil Trailer 180
- Pipe Coil Trailer 50 - 90
- Pipe Coil Trailer 90 500
- Pipe Handler 125 Mini (for use with 1.5 ton digger)
- Pipe Handler 180 Midi (for use with 3 ton digger)
- Pipe Handler 355 , 500 , 630 (for use with 5-8 ton, may suit larger size diggers)
- Polyfill
- Pushing Machine 125 Pneumatic
- Pushing Machine 180 Hydraulic (requires power pack for use, also available)
- Rapid Service Isolator (Applicator gun, kit bag and sealant)
- Service Removal Tool (Service removal tool, 4 wheel cutters)

